

# 3VR Series Needle Manifold

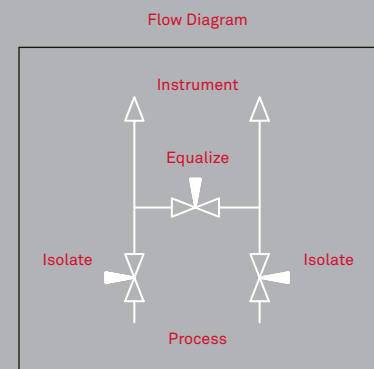
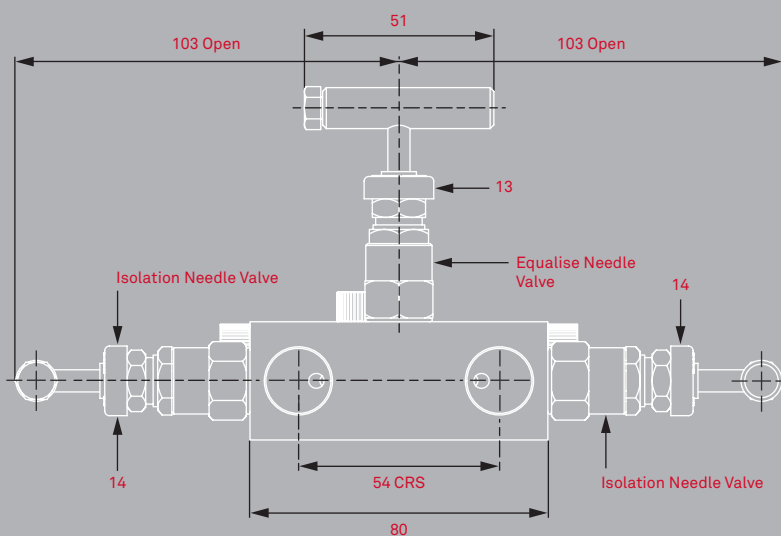
## Overview

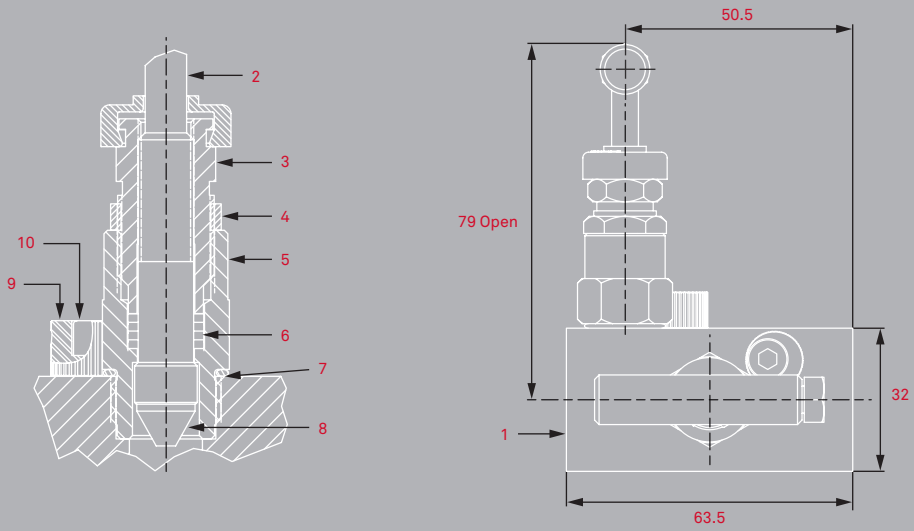
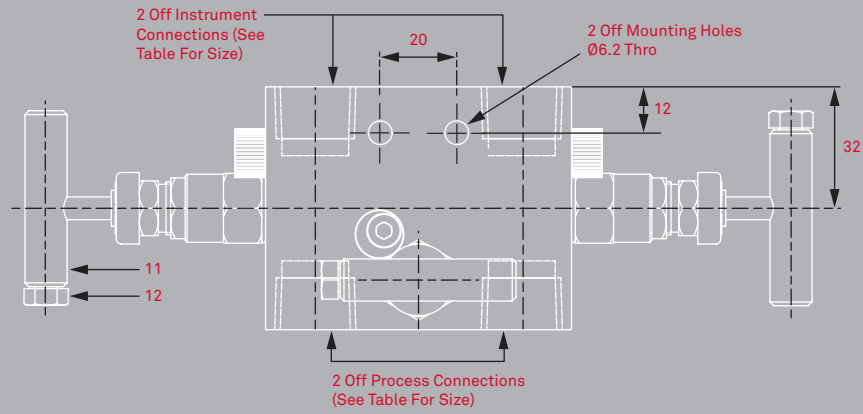
### 3 Valve Needle Manifold 6,000 PSI

The three-valve isolation manifold remote mounted (pipe to pipe). Used mainly in differential pressure transmitters and static instrument applications. The '3VR' has two process isolation valves and one equalisation valve to equalise the two sides. Incorporated all the standard long service life features of the standard 'N' series needle valve, multi-ring piston style packing, back sealing facility. Mounting holes supplied as standard for wall or bracket. Process and instrument sides are both on 54mm centres to correspond with transmitter connections.

## Design Features

- 2 x isolation and 1 x equalising valve for instrument balancing applications
- All valves have 2-piece non-rotating hardened (17-4PH) tips as standard, for bubble tight shut off and long service life
- Metal to metal body bonnet seal for high pressure and high temperature sealing
- 2 x 6mm diameter mounting holes as standard
- Positive no slack stem action
- Unique anti-rotational cam device for extra safety
- Temperature range -40°C to 230°C
- Ingress seals fitted as standard
- Repair/service kits available to extend service life further
- Available in 316/316L
- Mounting holes as standard to allow for fixing to pipe stands or enclosures
- Full material traceability
- Materials of construction supplied to meet the requirements of NACE MR 0175





Components Key

Item No.	Description	Material	Quantity
1	VALVE BODY	A479 UNS S31600	1
2	NEEDLE STEM	A479 UNS S31600	3
3	GLAND ADJUSTER	UNS S31600	3
4	GLAND LOCKNUT	UNS S31600	3
5	BONNET HOUSING	A479 UNS S31600	3
6	PACKING	RTFE	12
7	INGRESS SEAL	VITON	3
8	VALVE TIP	A564 UNS S17400	3
9	LOCKING CAM	UNS S31600	3
10	CAM SCREW	A4 ST/ST	3
11	"T" HANDLE	UNS S31600	3
12	HANDLE BOLT	A4 ST/ST	3
13	EQUALISE DUST CAP	PVC	1
14	ISOLATE DUST CAP	PVC	2

Dimensions shown are in metric mm

Part no.	Connection size	Bore	CV	Weight
3VR4NS	1/2" NPT	4	0.6	1.45 Kg