

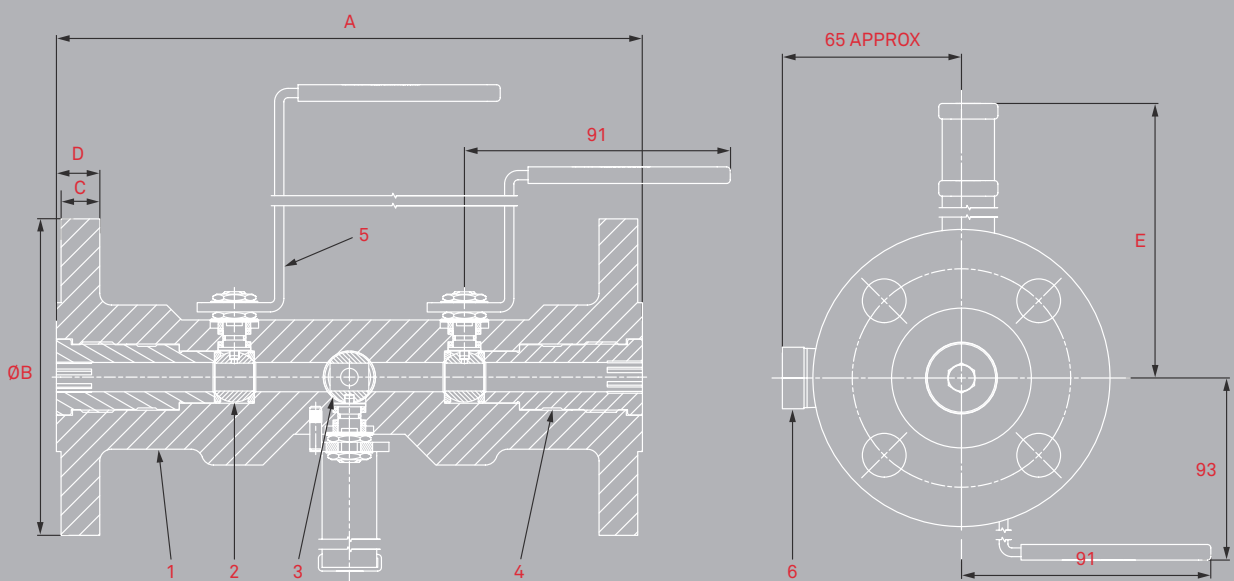
Y Series Flange x Flange 1 Piece

Technical Spec

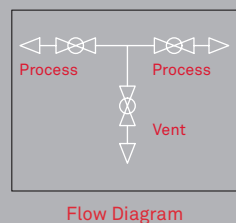
Double block and bleed double flanged valve utilising soft seats, with metal to metal insert connection for superior, bubble tight sealing capabilities at both high pressures and temperatures.

The DVY type valve offers a Ball, Ball, Ball configuration. This series offers working pressures of up to ASME B16.5 class 2500 with a maximum working temperature of up to 200°C.

Valve Construction



- 1 Valve Body
- 2 Isolation Ball Valve
- 3 Venting T-Port Ball Valve
- 4 Screwed Insert
- 5 Valve Handle
- 6 Blank Plug



Options

Flange/Inlet †	Outlet †	Vented Port Thread †	Vent Port †
Raised Face	Raised Face	NPT	Plugged
Flat Face	Flat Face	BSPP	Unplugged
Ring Type Joint	Ring Type Joint	BSPT	Safety Vent Plug

†Other options can be supplied upon request.



Temp. Range
-46°C > 200°C †



Pressure Rating
ASME Class 150 - 2500



Flange Sizes
ASME B16.5 1/2" - 2" †



Compliance
NACE MR - 01 - 75



Flow Direction
Bi-directional (Optional)

† Actual maximum working temperature is dependent on valve service conditions; please contact for more information.

Design Features

- Designed to ASME B16.34 Class 150 to 2500 pressure rated and API 6A up to 10,000psi
- Bore sizes from 10mm up to 25mm
- Single piece design
- ASME B1.20.1 ½" – 14 NPT Outlet size – Standard
- ASME B1.20.1 ½" – 14 NPT Vent size – Standard
- Other Outlet/Vent sizes and thread types are available
- Sample Probes/Injection Quills can be fitted
- Isolation ball valves and venting ball valve as standard
- Materials available include; ASTM A182 F316 Stainless Steel, ASTM A182 F51/55 Duplex & Super Duplex, and ASTM B564 UNS N06625 Inconel
- Various trim materials available
- Standard Designs are fire safe
- Lockable devices available
- Double block and bleed and double block designs available

Pressure Testing

All our Valves are tested thoroughly. We offer a wide range of testing options due to our variety of in-house testing equipment. Standard Hydro-body, Hydro-seat and Gas seat testing is carried out to API 598 and API 6A, with permissible leakage to ISO 5208. However other standards can be adhered to should it be required, including but not limited to PR2, ISO 15848, MESG SPE 77/300 and MESG SPE 77/312. Please speak to our Sales team with regards to your testing requirements and we will be happy to advise.

Non-Destructive Testing/Examination Options

- DPI
- MPI
- Ultrasonic
- Hardness Testing
- Radiography

Data Table

For further information regarding this range, please see the Y Series Flange x Flange 1 Piece product data table at the back of this brochure.

Y Series Flange x Flange Product Type

10MM Y RANGE ONE PIECE - RF/RTJ FLANGE X RF/RTJ FLANGE

	Size	Rating	Valve Part No.	A (mm)	ØB (mm)	C (mm)	D RF(mm)	D RTJ (mm)	Nominal weight
Metric / mm	1/2"	150	DD1V4N#-4AR (4AJ)	175	90	10.1	12.1	16.5	4
	1/2"	300	DD1V4N#-4BR (4BJ)	175	95	13.2	15.2	19.6	4
	1/2"	600	DD1V4N#-4CR (4CJ)	200	95	14.8	21.8	21.2	4
	1/2"	900/1500	DD1V4N#-4ER (4EJ)	225	120	22.8	29.8	29.2	6
	1/2"	2500	DD1V4N#-4FR (4FJ)	225	135	30.7	37.7	37.1	9
	3/4"	150	DD1V4N#-6AR (6AJ)	175	100	11.7	13.7	18.1	4
	3/4"	300	DD1VN#-6BR (6BJ)	175	115	14.8	16.8	21.2	5
	3/4"	600	DD1V4N#-6CR (6CJ)	200	115	16.4	23.4	22.8	5
	3/4"	900/1500	DD1V4N#-6ER (6EJ)	244	130	25.9	32.9	32.3	8
	3/4"	2500	DD1V4N#-6FR (6FJ)	244	140	32.3	39.3	38.7	10
	1"	150	DD1V4N#-8AR (8AJ)	175	110	13.2	15.2	19.6	5
	1"	300	DD1V4N#-8BR (8BJ)	200	125	16.4	18.4	22.8	6
	1"	600	DD1V4N#-8CR (8CJ)	200	125	18	25.0	24.4	6
	1"	900/1500	DD1V4N#-8ER (8EJ)	244	150	29.1	36.1	35.5	11
	1"	2500	DD1V4N#-8FR (8FJ)	244	160	35.5	42.5	41.9	13
	1 1/2"	150	DD1V4N#-12AR (12AJ)	175	125	16.4	18.4	22.8	6
	1 1/2"	300	DD1V4N#-12BR (12BJ)	200	155	19.6	21.6	26.0	9
	1 1/2"	600	DD1V4N#-12CR (12CJ)	225	155	22.8	29.8	29.2	10
	1 1/2"	900/1500	DD1V4N#-12ER (12EJ)	244	180	32.3	39.3	38.7	15
	1 1/2"	2500	DD1V4N#-12FR (12FJ)	244	205	45	52.0	52.9	24
2"	150	DD1V4N#-16AR (16AJ)	175	150	18	20.0	24.4	8	
2"	300	DD1V4N#-16BR (16BJ)	200	165	21.2	23.2	29.1	10	
2"	600	DD1V4N#-16CR (16CJ)	225	165	25.9	32.9	33.8	12	
2"	900/1500	DD1V4N#-16ER (16EJ)	244	215	38.6	45.6	46.5	23	
2"	2500	DD1V4N#-16FR (16FJ)	244	235	51.4	58.4	59.3	34	