

UN-V Series Needle Valve

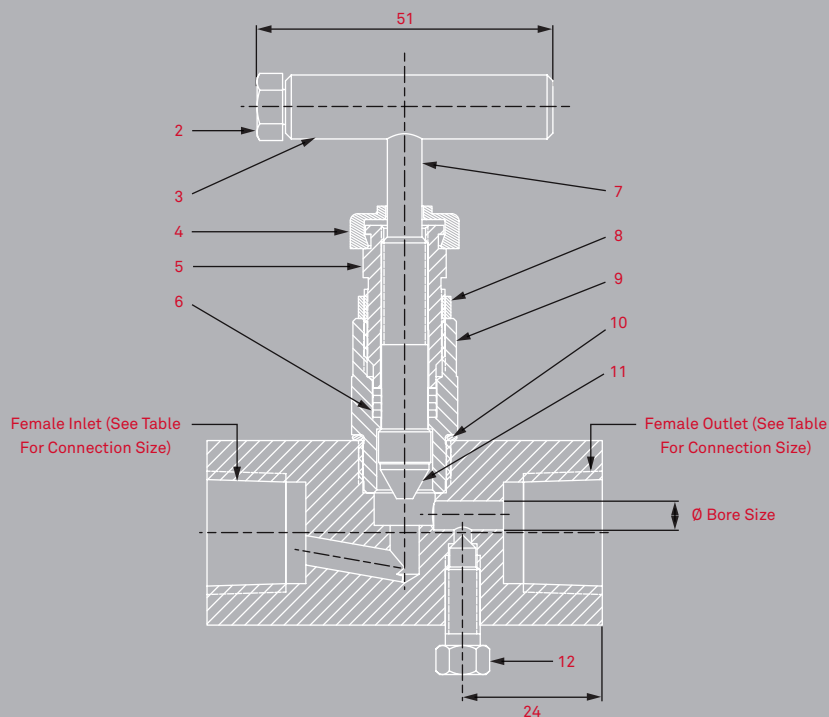
Overview

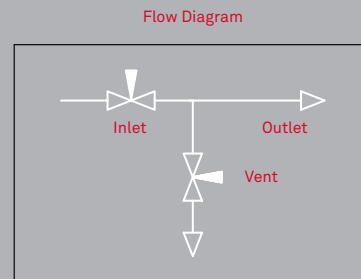
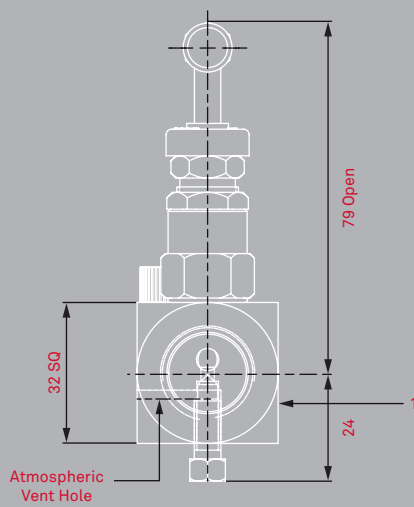
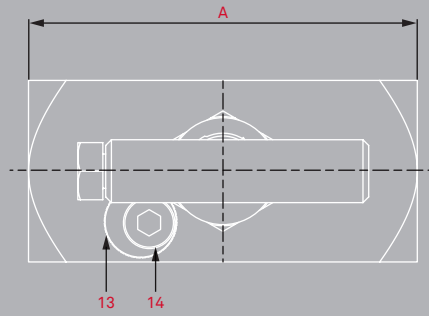
Needle Valves 10,000 PSI

The precision made 'UN-V' series, single isolation hand valve utilising metal to metal seat and body to bonnet connection for superior, bubble tight sealing capabilities at both extreme pressures and temperatures. This design also provides an economical method for venting pressure on the downstream making it easy for calibrating gauges and pressure switches. The 'UN-V' series also offers non-rotating hardened tip for extended service life. The unique anti-vibration cam locking device at the body bonnet connection is for extra safety.

Design Features

- Bubble tight metal to metal seat for positive shut off
- 2 piece non-rotating hardened (17-4PH) tip for first time seal and long service life
- Metal to metal body bonnet seal for high pressure and high temperature sealing
- Unique bonnet locking cam. No accidental removal of head unit, or loosening due to vibration
- Positive no slack stem action
- Back sealing stem to extend packing life
- Temperature range -40°C to 230°C
- Available in 316/316L
- Downstream to atmosphere venting facility to enable calibration of instruments
- Body to bonnet ingress seal fitted as standard to prevent crevice corrosion
- Repair/service kits available to extend service life further
- Full material traceability of major components
- Materials of construction supplied to meet the requirements of NACE MR 0175





Item No.	Description	Material	Quantity
1	NEEDLE BODY	A479 UNS S31600	1
2	HANDLE BOLT	A4 ST/ST	1
3	"T" HANDLE	UNS S31600	1
4	ISOLATE DUST CAP	PVC	1
5	GLAND ADJUSTER	UNS S31600	1
6	GLAND PACKING	RTFE	4
7	NEEDLE STEM	A479 UNS S31600	1
8	GLAND LOCKNUT	UNS S31600	1
9	BONNET HOUSING	A479 UNS S31600	1
10	INGRESS SEAL	VITON	1
11	VALVE TIP	A564 UNS S17400	1
12	VENT PLUG NEEDLE	A479 UN S31600	1
13	LOCKING CAM	UNS S31600	1
14	CAM SCREW	A4 ST/ST	1

Components Key

Dimensions shown are in metric mm

Part no.	Connection size	A	Bore	CV	Weight
UN4NS-V	1/2" NPT	68	5	0.7	0.35Kg

UN-V MxF Series Needle Valve

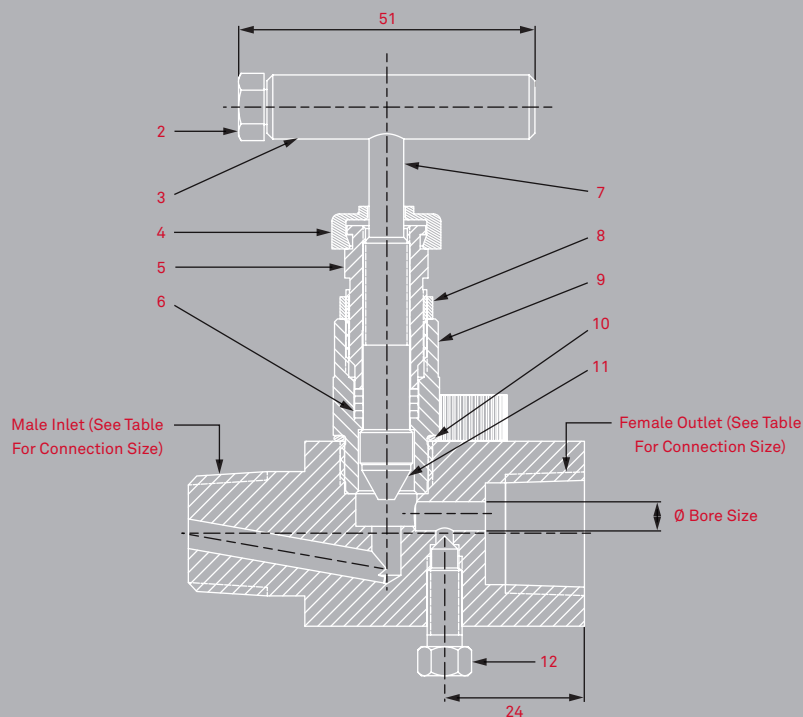
Overview

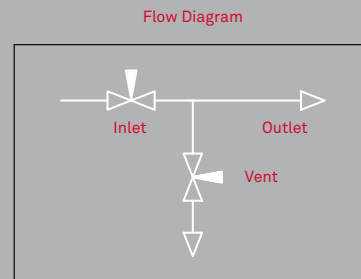
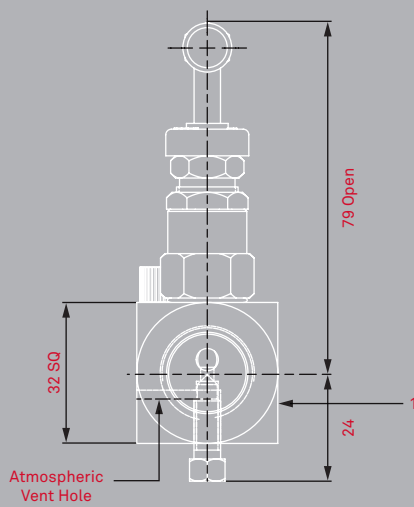
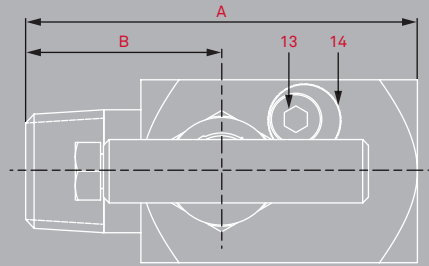
Needle Valves 10,000 PSI

The precision made 'UN-V' series, single isolation hand valve utilising metal to metal seat and body to bonnet connection for superior, bubble tight sealing capabilities at both extreme pressures and temperatures. This design also provides an economical method for venting pressure on the downstream making it easy for calibrating gauges and pressure switches. The 'UN-V' series also offers non-rotating hardened tip for extended service life. The unique anti-vibration cam locking device at the body bonnet connection is for extra safety.

Design Features

- Bubble tight metal to metal seat for positive shut off
- 2 piece non-rotating hardened (17-4PH) tip for first time seal and long service life
- Metal to metal body bonnet seal for high pressure and high temperature sealing
- Unique bonnet locking cam. No accidental removal of head unit, or loosening due to vibration
- Positive no slack stem action
- Back sealing stem to extend packing life
- Temperature range -40°C to 230°C
- Available in 316/316L
- Downstream to atmosphere venting facility to enable calibration of instruments
- Body to bonnet ingress seal fitted as standard to prevent crevice corrosion
- Repair/service kits available to extend service life further
- Full material traceability of major components
- Materials of construction supplied to meet the requirements of NACE MR 0175





Item No.	Description	Material	Quantity
1	NEEDLE BODY	A479 UNS S31600	1
2	HANDLE BOLT	A4 ST/ST	1
3	"T" HANDLE	UNS S31600	1
4	ISOLATE DUST CAP	PVC	1
5	GLAND ADJUSTER	UNS S31600	1
6	GLAND PACKING	RTFE	4
7	NEEDLE STEM	A479 UNS S31600	1
8	GLAND LOCKNUT	UNS S31600	1
9	BONNET HOUSING	A479 UNS S31600	1
10	INGRESS SEAL	VITON	1
11	VALVE TIP	A564 UNS S17400	1
12	VENT PLUG NEEDLE	A479 UNS S31600	1
13	CAM SCREW	A4 ST/ST	1
14	LOCKING CAM	UNS S31600	1

Components Key

Dimensions shown are in metric mm

Part no.	Connection size	A	B	Bore	CV	Weight
UN4NS-1M-V	1/2" NPT	68	34	5	0.7	0.47 Kg