

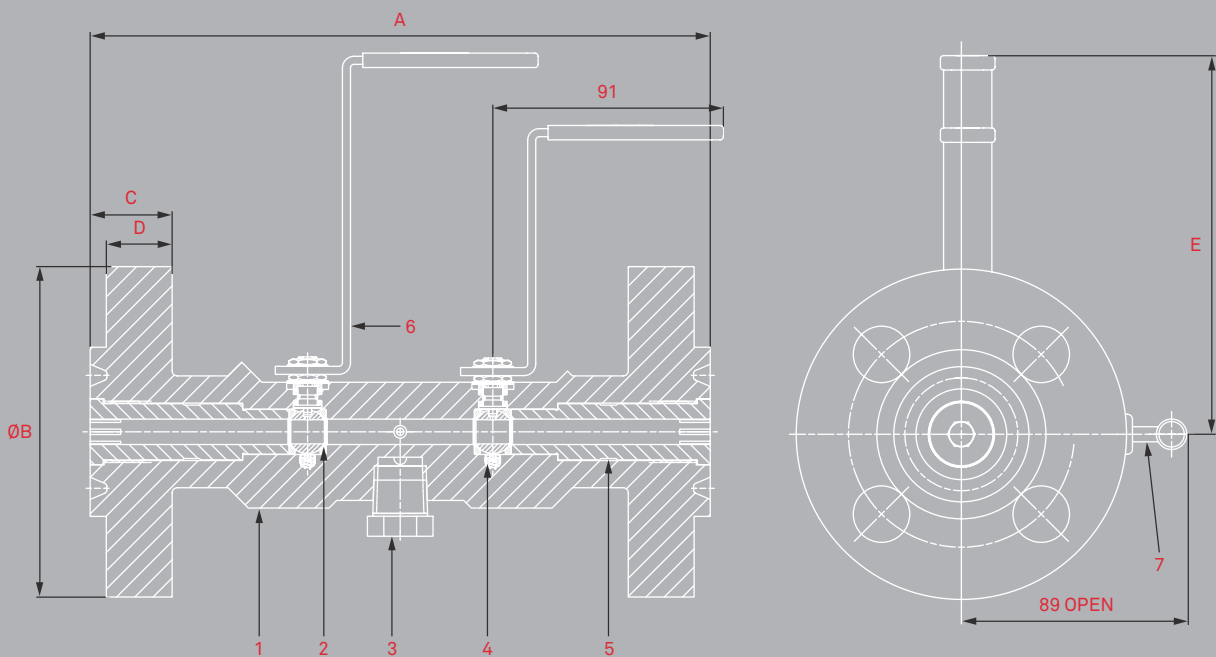
# V Series Flange x Flange 1 Piece

Technical Spec

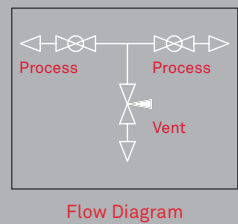
Double block and bleed double flanged valve manifold utilising both soft seat and metal to metal seat, with bonnet to body connection for superior, bubble tight sealing capabilities at both high pressures and temperatures.

The DVV type valve offers a Ball, Needle, Ball configuration. This series offers working pressures of up to ASME B16.5 class 2500 with a maximum working temperature of up to 200°C.

Valve Construction



- 1 Valve Body
- 2 Isolation Ball Valve
- 3 Blank Plug
- 4 Screwed Insert
- 5 Valve Handle
- 6 Venting Needle Valve



Options

Flange/Inlet †	Outlet †	Vented Port Thread †	Vent Port †	Needle Valve
Raised Face	Raised Face	NPT	Plugged	Standard Needle
Flat Face	Flat Face	BSPP	Unplugged	Anti-Tamper Needle
Ring Type Joint	Ring Type Joint	BSPT	Safety Vent Plug	OS&Y Needle
				Lockable OS&Y Needle

†Other options can be supplied upon request.



**Temp. Range**  
-46°C > 200°C †



**Pressure Rating**  
ASME Class 150 - 2500



**Flange Sizes**  
ASME B16.5 1/2" - 2" †



**Compliance**  
NACE MR - 01 - 75



**Flow Direction**  
Bi-directional (Optional)

† Actual maximum working temperature is dependent on valve service conditions; please contact for more information.

- ASME B16.5 Class 150 to 2500 pressure rated
- Bore sizes from 10mm up to 19mm
- ASME B1.20.1 ½" – 14 NPT Vent size – Standard
- Other Vent sizes and thread types are available
- Sample Probes/Injection Quills can be fitted
- Various trim materials available
- Isolation ball valves and venting needle valve as standard
- Materials available include: ASTM A182 F316 Stainless Steel, ASTM A182 F51/55 Duplex & Super Duplex, and ASTM B564 UNS N06625 Inconel
- Standard Designs are fire safe
- Lockable and anti-tamper devices available
- Double block and bleed or just double block designs available

All our Valves are tested thoroughly. We offer a wide range of testing options due to our variety of in-house testing equipment. Standard Hydro-body, Hydro-seat and Gas seat testing is carried out to API 598 and API 6A, with permissible leakage to ISO 5208. However other standards can be adhered to should it be required, including but not limited to PR2, ISO 15848, MESC SPE 77/300 and MESC SPE 77/312. Please speak to our Sales team with regards to your testing requirements and we will be happy to advise.

#### Non-Destructive Testing/Examination Options

- DPI
- MPI
- Ultrasonic
- Hardness Testing
- Radiography

# V Series Flange x Flange Product Type

## 10MM V RANGE ONE PIECE - RF/RTJ FLANGE X RF/RTJ FLANGE

	Size	Rating	Valve Part No.	A (mm)	ØB (mm)	C (mm)	D RF(mm)	D RTJ (mm)	Nominal weight
Metric / mm	1/2"	150	DD1V4N#-4AR (4AJ)	175	90	10.1	12.1	16.5	4
	1/2"	300	DD1V4N#-4BR (4BJ)	175	95	13.2	15.2	19.6	4
	1/2"	600	DD1V4N#-4CR (4CJ)	200	95	14.8	21.8	21.2	5
	1/2"	900/1500	DD1V4N#-4ER (4EJ)	225	120	22.8	29.8	29.2	7
	1/2"	2500	DD1V4N#-4FR (4FJ)	225	135	30.7	37.7	37.1	9
	3/4"	150	DD1V4N#-6AR (6AJ)	175	100	11.7	13.7	18.1	4
	3/4"	300	DD1VN#-6BR (6BJ)	175	115	14.8	16.8	21.2	5
	3/4"	600	DD1V4N#-6CR (6CJ)	200	115	16.4	23.4	22.8	6
	3/4"	900/1500	DD1V4N#-6ER (6EJ)	244	130	25.9	32.9	32.3	8
	3/4"	2500	DD1V4N#-6FR (6FJ)	244	140	32.3	39.3	38.7	11
	1"	150	DD1V4N#-8AR (8AJ)	175	110	13.2	15.2	19.6	5
	1"	300	DD1V4N#-8BR (8BJ)	200	125	16.4	18.4	22.8	6
	1"	600	DD1V4N#-8CR (8CJ)	200	125	18.0	25.0	24.4	6
	1"	900/1500	DD1V4N#-8ER (8EJ)	244	150	29.1	36.1	35.5	11
	1"	2500	DD1V4N#-8FR (8FJ)	244	160	35.5	42.5	41.9	14
	1 1/2"	150	DD1V4N#-12AR (12AJ)	175	125	16.4	18.4	22.8	6
	1 1/2"	300	DD1V4N#-12BR (12BJ)	200	155	19.6	21.6	26.0	9
	1 1/2"	600	DD1V4N#-12CR (12CJ)	225	155	22.8	29.8	29.2	8
	1 1/2"	900/1500	DD1V4N#-12ER (12EJ)	244	180	32.3	39.3	38.7	16
	1 1/2"	2500	DD1V4N#-12FR (12FJ)	244	205	45.0	52.0	52.9	25
2"	150	DD1V4N#-16AR (16AJ)	175	150	18.0	20.0	24.4	8	
2"	300	DD1V4N#-16BR (16BJ)	200	165	21.2	23.2	29.1	10	
2"	600	DD1V4N#-16CR (16CJ)	225	165	25.9	32.9	33.8	12	
2"	900/1500	DD1V4N#-16ER (16EJ)	244	215	38.6	45.6	46.5	24	
2"	2500	DD1V4N#-16FR (16FJ)	244	235	51.4	58.4	59.3	35	

# V Series Flange x Flange Product Type (cont'd)

## 13MM V RANGE ONE PIECE - RF/RTJ FLANGE X RF/RTJ FLANGE

	Size	Rating	Valve Part No.	A (mm)	ØB (mm)	C (mm)	D RF(mm)	D RTJ (mm)	Nominal weight
Metric / mm	1/2"	150	13DD1V4N#-4AR (4AJ)	192	90	10.1	12.1	16.5	5
	1/2"	300	13DD1V4N#-4BR (4BJ)	192	95	13.2	15.2	19.6	6
	1/2"	600	13DD1V4N#-4CR (4CJ)	192	95	14.8	21.8	21.2	6
	1/2"	900/1500	13DD1V4N#-4ER (4EJ)	236	120	22.8	29.8	29.2	8
	1/2"	2500	13DD1V4N#-4FR (4FJ)	236	135	30.7	37.7	37.1	10
	3/4"	150	13DD1V4N#-4AR (4AJ)	192	100	11.7	13.7	18.1	6
	3/4"	300	13DD1V4N#-6BR (6BJ)	192	115	14.8	16.8	21.2	7
	3/4"	600	13DD1V4N#-6CR (6CJ)	192	115	16.4	23.4	22.8	7
	3/4"	900/1500	13DD1V4N#-6ER (6EJ)	236	130	25.9	32.9	32.3	9
	3/4"	2500	13DD1V4N#-6FR (6FJ)	236	140	32.3	39.3	38.7	11
	1"	150	13DD1V4N#-8AR (8AJ)	192	110	13.2	15.2	19.6	6
	1"	300	13DD1V4N#-8BR (8BJ)	192	125	16.4	18.4	22.8	7
	1"	600	13DD1V4N#-8CR (8CJ)	192	125	18	25	24.4	7
	1"	900/1500	13DD1V4N#-8ER (8EJ)	236	150	29.1	36.1	35.5	13
	1"	2500	13DD1V4N#-8FR (8FJ)	236	160	35.5	42.5	41.9	15
	1 1/2"	150	13DD1V4N#-12AR (12AJ)	192	125	16.4	18.4	22.8	8
	1 1/2"	300	13DD1V4N#-12BR (12BJ)	192	155	19.6	21.6	26.0	11
	1 1/2"	600	13DD1V4N#-12CR (12CJ)	236	155	22.8	29.8	29.2	13
	1 1/2"	900/1500	13DD1V4N#-12ER (12EJ)	236	180	32.3	39.3	38.7	17
	1 1/2"	2500	13DD1V4N#-12FR (12FJ)	273	205	45	52	52.9	28
2"	150	13DD1V4N#-16AR (16AJ)	192	150	18	20	24.4	11	
2"	300	13DD1V4N#-16BR (16BJ)	236	165	21.2	23.2	29.1	15	
2"	600	13DD1V4N#-16CR (16CJ)	236	165	25.9	32.9	33.8	16	
2"	900/1500	13DD1V4N#-16ER (16EJ)	273	215	38.6	45.6	46.5	25	
2"	2500	13DD1V4N#-16FR (16FJ)	273	235	51.4	58.4	59.3	36	