

# 3VD Series

## General Information

### Direct Flange Mounted (T Section) 3 Valve Manifold 6,000 psi rated

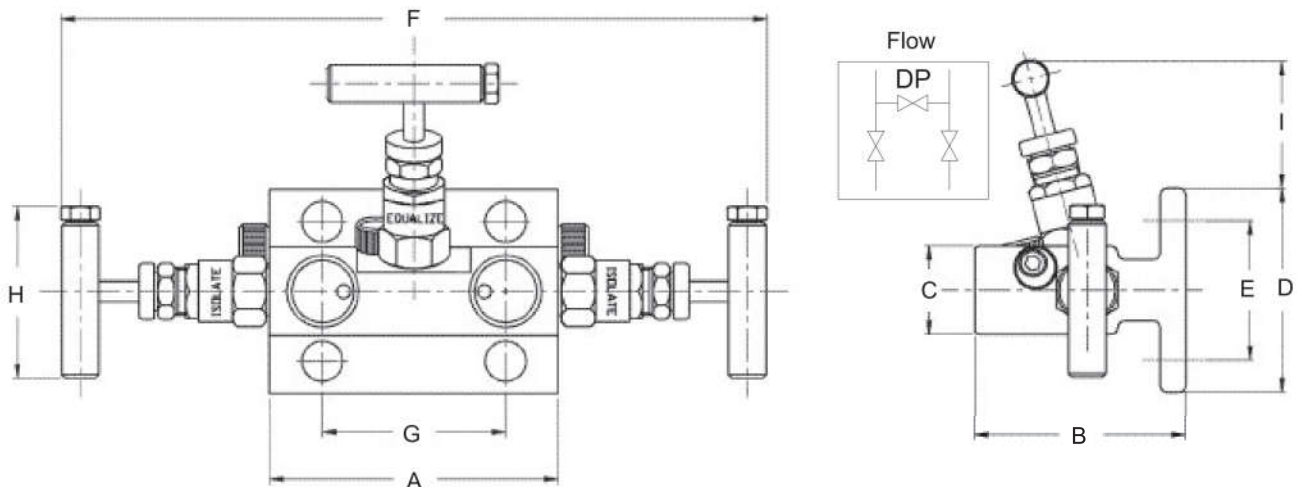
Direct mounted three-valve manifold, instrument mount to pipe connection. Having a "T" section body format allows reasonable space envelope between the instrument and process lines. The 3VD offers two isolation valves, and one equalising valve. Supplied with bolt pack and spare seals as standard. This slim, compact 3 valve manifold offers all the features of Alco's high integrity needle valve head design incorporated in one common instrument manifold block.



Note: This product comes with bolt pack and seals as standard

## Design Features

- All valves have 2-piece non-rotating hardened (17-4PH) tips as standard.
- Bubble tight shut off.
- Positive no slack stem action.
- Offset equalise valve for ease of operation.
- Metal to metal body bonnet seal for high pressure and high temperature use.
- Ingress seals fitted as standard.
- Repair / service kit available to extend field life further.
- Temperature range -46°C to 230°C (427°C with GP option). (Pressures may vary)
- Unique bonnet locking cam.
- Two valve configurations available.
- Full material traceability.
- 54mm (2 1/8") instrument centres.
- Material of construction can be supplied to meet the requirements of NACE MR-01-75



## Part Numbers

| St / St Part No.  | Connections Size               | A  | B  | C  | D  | E  | F   | G  | H  | I  | Weight (kgs) |
|-------------------|--------------------------------|----|----|----|----|----|-----|----|----|----|--------------|
| 3VD4NS            | 1/2" NPT female x direct mount | 85 | 62 | 26 | 60 | 41 | 207 | 54 | 51 | 39 | 1.4          |
| <b>Mini heads</b> |                                |    |    |    |    |    |     |    |    |    |              |
| M3VD4NS           | 1/2" NPT female x direct mount | 85 | 62 | 26 | 60 | 41 | 166 | 54 | 51 | 19 | 1.3          |

Packing materials: RTFE (standard) graphoil option -GP

Dims are in mm (appx)