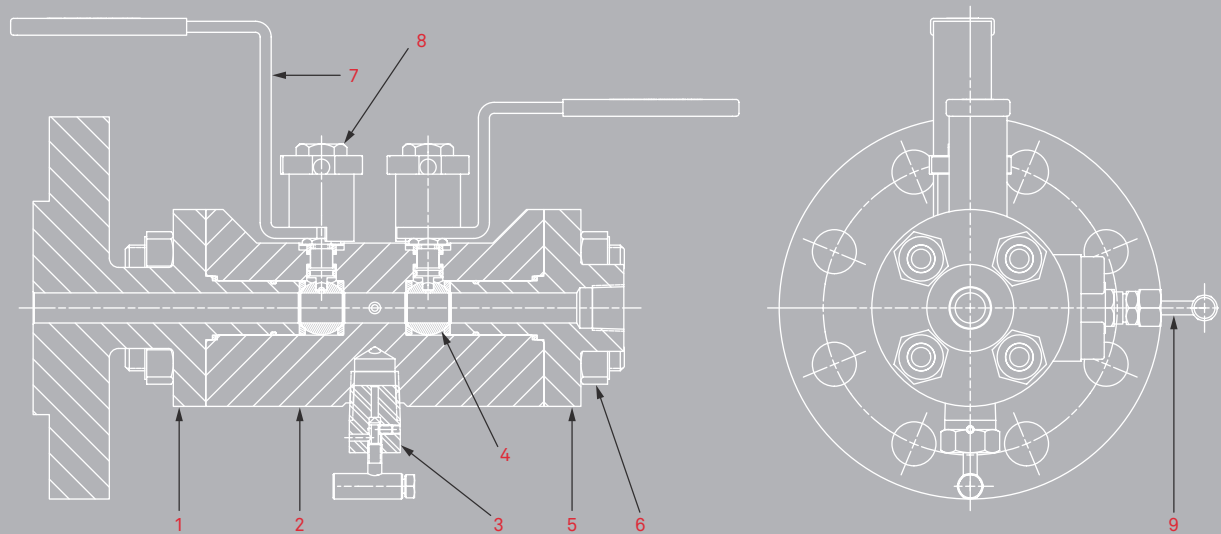


OB Series Flange x Screw 3 Piece

Technical Spec

Double block and bleed bar stock body cartridge valve manifold with bolt on flanges, utilising both soft seat and metal to metal seat, with bonnet to body connection for superior, bubble tight sealing capabilities at both high pressures and temperatures.

The BVO type valve offers a Ball, Bolted Needle, Ball configuration. Flanged connections and a threaded female vent port. This series offers working pressures of up to ASME B16.5 class 2500 or API 6A 10,000 psi with a maximum working temperature of up to 200°C.



Valve Construction

- 1 Bolt on Flange Connection
- 2 Valve Body
- 3 Safety Vent Port (optional)
- 4 Isolation Ball Valve
- 5 Bolt on Threaded Connection
- 6 Hex Nut
- 7 Valve Handle
- 8 Handle Locking Device
- 9 Bolted Needle Valve

Options

Flange/Inlet †	Outlet †	Vented Port Thread †	Vent Port †	Needle Valve
Raised Face	NPT	NPT	Plugged	Standard Needle
Flat Face	BSPP	BSPP	Unplugged	Anti-Tamper Needle
Ring Type Joint	BSPT	BSPT	Safety Vent Plug	OS&Y Needle
				Lockable OS&Y Needle

†Other options can be supplied upon request.



Temp. Range
-46°C > 200°C †



Pressure Rating
ASME Class 150 - 2500



Flange Sizes
ASME B16.5 1/2" - 3" †



Compliance
NACE MR - 01 - 75



Flow Direction
Bi-directional

† Actual maximum working temperature is dependent on valve service conditions; please contact for more information.

Design Features

- Standard configuration body with interchangeable process connections
- Option of flanged, threaded and butt-welded connections amongst others
- Bore sizes from 10mm up to 250mm
- Pressure rated up to ASME B16.5 class 2500 and API 6A 10,000 psi
- Double block and bleed configuration
- Materials available include: ASTM A182 F316 Stainless Steel, ASTM A182 F51/55 Duplex & Super Duplex, and ASTM B564 UNS N06625 Inconel amongst others
- Lockable and Anti-tamper devices available
- Fire safe design
- Choice of venting valve design

Pressure Testing

All our Valves are tested thoroughly. We offer a wide range of testing options due to our variety of in-house testing equipment. Standard Hydro-body, Hydro-seat and Gas seat testing is carried out to API 598 and API 6A, with permissible leakage to ISO 5208. However other standards can be adhered to should it be required, including but not limited to PR2, ISO 15848, MESC SPE 77/300 and MESC SPE 77/312. Please speak to our Sales team with regards to your testing requirements and we will be happy to advise.

Non-Destructive Testing/Examination Options

- DPI
- MPI
- Ultrasonic
- Hardness Testing
- Radiography