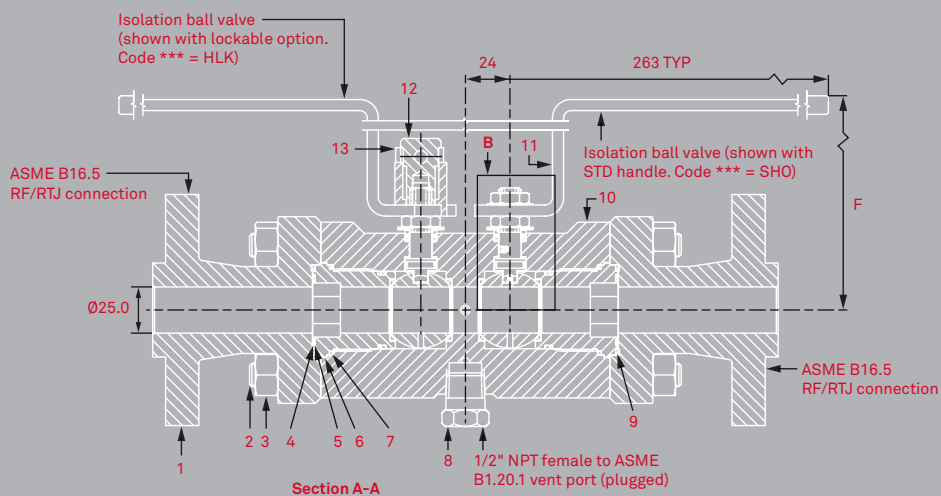
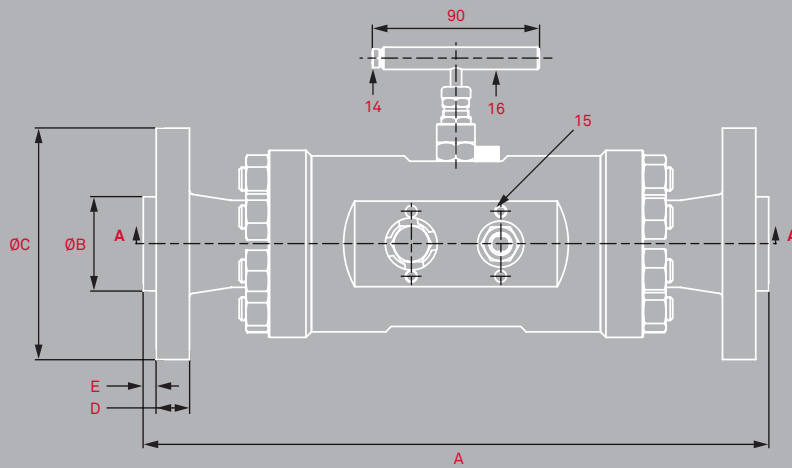
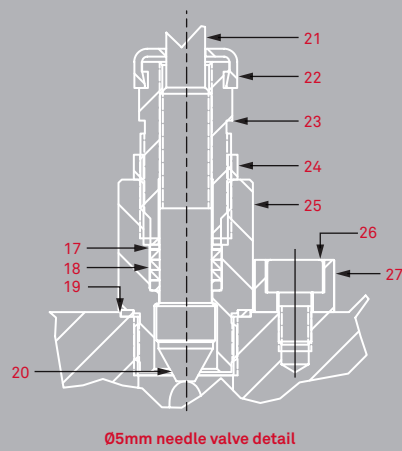
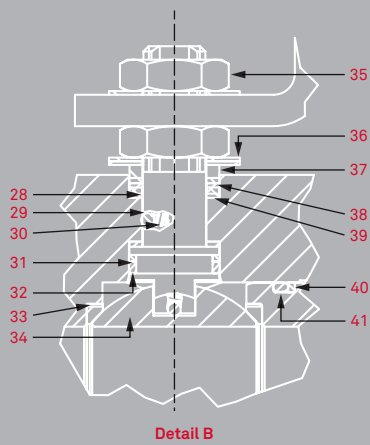
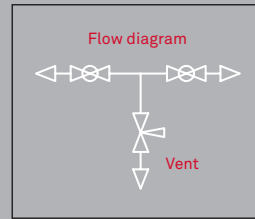
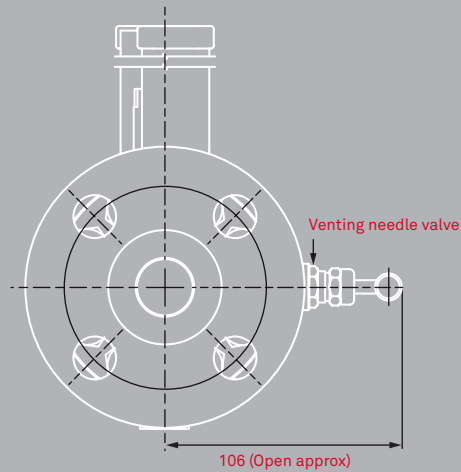


XC Ø19 & Ø25 DBB Valve Manifold

Qualifications

- Fire safe to ISO 10497
- Fugitive emission tight ball valve design
- Class A tight to the CO2 level between -29°C > 40°C at pressure of 431 bar (6250 psi) and below
- Class B tight to the CO1 level between -46°C > 100°C at pressure of 431 bar (6250 psi) and below
- API 6A PR2 qualified ball valve design at class 2500
- Endurance tested to 1200 operational cycles at class 2500 in accordance with API 6A criteria
- Type Approval Tested in accordance with SPE 77-300 at class 2500 + class 600 between +150°C and -29°C





Components Key

Item No.	Description	Material	Quantity	Item No.	Description	Material	Quantity
1	BOLT ON FLANGE	#	2	22	DUST CAP	PVC	1
2	STUD	*	12 - 16	23	GLAND ADJUSTER	UNS S31600	1
3	HEX NUT	*	12 - 16	24	GLAND LOCKNUT	UNS S31600	1
4	O-RING	ENDURA V91A	2	25	BONNET HOUSING	‡	1
5	BACK-UP RING	PEEK	2	26	SHC SCREW	A4 ST/ST	1
6	BODY INSERT	A479 UNS S31803	2	27	LOCKING CAM	UNS S31600	1
7	BODY SEAL	GRAPHITE	2	28	STEM	A479 UNS S31803	2
8	1/2" N.PT BLANK PLUG	†	1	29	2.5mm BALL	B446 UNS N06625	4
9	BODY SEAL	GRAPHITE	2	30	ANTI-STATIC SPRING	INCONEL X750	4
10	BODY	#	1	31	BACK-UP RING	PEEK	2
11	VALVE HANDLE (2)	UNS S31600	2	32	O-RING	ENDURA V91A	2
12	LOCKING PIN	UNS S31600	1	33	SEAT	PEEK	4
13	LOCKING COLLAR	UNS S31600	1	34	BALL	B446 UNS N06625	2
14	HEX CAP SCREW	A4 ST/ST	1	35	HEX NUT	A4 ST/ST	3
15	STOP PIN	UNS S31600	2	36	BELLEVILLE WASHER	ST/ST	5
16	EXTENDED "T" HANDLE	UNS S31600	1	37	SPACER	UNS S31600	2
17	PACKING WASHER	RTFE	2	38	ANTI-EXTRUSION RING	PEEK	4
18	GLAND PACKING	GRAPHITE	3	39	GLAND PACKING	GRAPHITE	4
19	BONNET SEAL	UNS S31600	1	40	BACK-UP RING	PEEK	2
20	NEEDLE VALVE TIP	A479 UNS S31803	1	41	O-RING	ENDURA V91A	2
21	NEEDLE STEM	A479 UNS S31803	1				

= BODY/FLANGE MATERIAL (S=F316, L=LF2, U=F51)
 * = BOLTING MATERIAL (S & U =B8M/8MA L=L7M/7M)

† = 1/2" VENT PLUG MATERIAL (S & L =A479 UNS S31600, U=A479 UNS S31803)
 ‡ = BONNET HOUSING MATERIAL (S & L =A479 UNS S31600, U=A479 UNS S31803)

ALCO XC Ø25mm Bore

TABLE 1
RF/RTJ Flange x Flange/NPT

Flange size (in)	Class rating	Part No.	A - RF	A - RTJ	A 1" NPT - RF	A 1" NPT - RTJ	ØB - RF	ØB - RTJ	ØC	D	E - RF	E - RTJ	F	Nominal Mass (kg)
1"	150	XC-25#-08AR‡08AR‡-B*-***	310	320	316	321	50.8	63.6	110	13.2	2.0	6.4	97	14
1"	300	XC-25#-08BR‡08BR‡-B*-***	326	334	324	328	50.8	70.1	125	16.4	2.0	6.4	147	16
1"	600	XC-25#-08CR‡08CR‡-B*-***	338	338	330	330	50.8	70.1	125	18.0	7.0	6.4	147	16
1"	900/1500	XC-25#-08ER‡08ER‡-B*-***	370	370	345	346	50.8	71.6	150	29.1	7.0	6.4	147	20
1"	2500	XC-25#-08FR‡08FR‡-B*-***	382	380	352	351	50.8	82.6	160	35.5	7.0	6.4	147	23
1 1/2"	150	XC-25#-12AR‡12AR‡-B*-***	318	326	320	324	73.0	82.6	125	16.4	2.0	6.4	147	16
1 1/2"	300	XC-25#-12BR‡12BR‡-B*-***	326	334	324	328	73.0	90.6	155	19.6	2.0	6.4	147	18
1 1/2"	600	XC-25#-12CR‡12CR‡-B*-***	340	340	331	331	73.0	90.6	155	22.8	7.0	6.4	147	20
1 1/2"	900/1500	XC-25#-12ER‡12ER‡-B*-***	372	370	347	346	73.0	92.1	180	32.3	7.0	6.4	147	25
1 1/2"	2500	XC-25#-12FR‡12FR‡-B*-***	394	396	358	359	73.0	114.1	205	45.0	7.0	7.9	147	34
2"	150	XC-25#-16AR‡16AR‡-B*-***	314	322	326	330	92.1	102.1	150	18.0	2.0	6.4	147	17
2"	300	XC-25#-16BR‡16BR‡-B*-***	320	332	321	335	92.1	108.1	165	21.2	2.0	7.9	147	19
2"	600	XC-25#-16CR‡16CR‡-B*-***	340	342	339	340	92.1	108.1	165	25.9	7.0	7.9	147	21
2"	900/1500	XC-25#-16ER‡16ER‡-B*-***	368	370	353	354	92.1	124.1	215	38.6	7.0	7.9	147	33
2"	2500	XC-25#-16FR‡16FR‡-B*-***	394	396	366	367	92.1	133.1	235	51.4	7.0	7.9	197	44

Configuration Metric / mm

= BODY/FLANGE MATERIAL (S=F316, L=LF2, U=F51)
* = BOLTING MATERIAL (2FC=L7M, 8ST=B8M)

‡ = FLANGE TYPE (F=RF, J=RTJ)
*** = HANDLE OPTIONS (SHO=STANDARD, HLK=HANDLE LOCKABLE)

TABLE 2

Flange x NPT	NPT CONFIGURATIONS
XC-25#-08AR‡##02-B*-***	*PLEASE NOTE: PART CODES VARY
XC-25#-08BR‡##02-B*-***	DEPENDING ON THE CONFIGURATION OF THE VALVE. AS SHOWN TO THE LEFT.

= NPT SIZE (06=3/4", 08=1", 10=1 1/4", 12=1 1/2")

TABLE 3

Size	RF	RTJ
3/4"	-39	-39
1 1/4"	+8	+8
1 1/2"	+18	+18

IN ORDER TO OBTAIN OVERALL LENGTH VALUES (A) FOR 1 1/4" AND 1 1/2" NPT CONNECTIONS, THE VALUES IN **TABLE 3** NEED TO BE ADDED OR SUBTRACTED FROM THE OVERALL LENGTH (A). FOR EXAMPLE, TO CALCULATE THE OVERALL LENGTH FOR AN **RF FLANGE x 1 1/4" FEMALE NPT** WE ADD 8 TO THE 1" NPT - RF VALUES IN **TABLE 1**.