

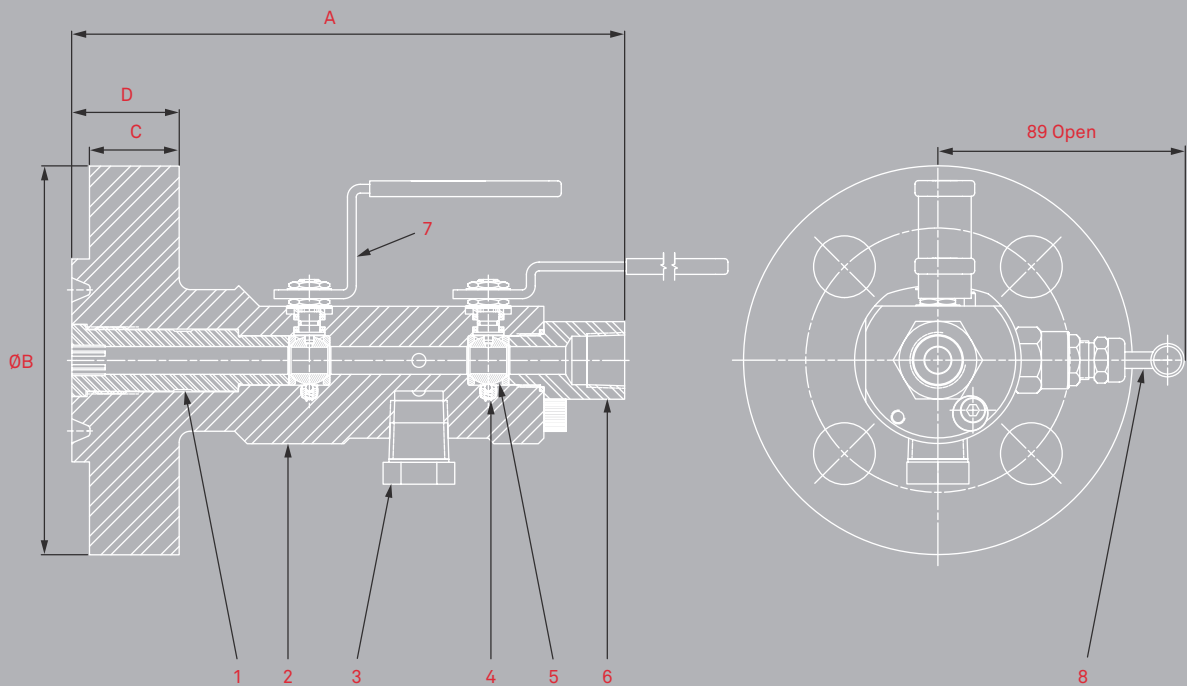
# V Series Flange x Screw 1 Piece

Technical Spec

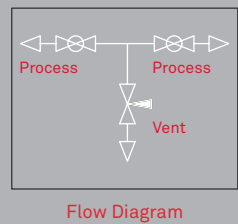
Double block and bleed single flanged valve manifold utilising both soft seat and metal to metal seat, with bonnet to body connection for superior, bubble tight sealing capabilities at both high pressures and temperatures.

The SVV type valve offers a Ball, Needle, Ball configuration. This series offers working pressures of up to ASME B16.5 class 2500 with a maximum working temperature of up to 200°C.

Valve Construction



- 1 Screwing Insert
- 2 Valve Body
- 3 Blank Plug
- 4 Anti Static Device
- 5 Isolation Ball Valve
- 6 Screwed End Connector
- 7 Valve Handle
- 8 Screwed Needle Valve



Options

Flange/Inlet †	Outlet †	Vented Port Thread †	Vent Port †	Needle Valve
Raised Face	NPT	NPT	Plugged	Standard Needle
Flat Face	BSPP	BSPP	Unplugged	Anti-Tamper Needle
Ring Type Joint	BSPT	BSPT	Safety Vent Plug	OS&Y Needle
				Lockable OS&Y Needle

† Other options can be supplied upon request.



**Temp. Range**  
-46°C > 200°C †



**Pressure Rating**  
ASME Class 150 - 2500



**Flange Sizes**  
ASME B16.5 1/2" - 2" †



**Compliance**  
NACE MR - 01 - 75



**Flow Direction**  
Bi-directional (Optional)

† Actual maximum working temperature is dependent on valve service conditions; please contact for more information.

- ASME B16.5 Class 150 to 2500 pressure rated and API 6A 10,000k
- ½" – 14 NPT Outlet size – Standard
- ½" – 14 NPT Vent size – Standard
- Other Outlet/Vent sizes and thread types are available
- Isolation ball valves and venting needle valve as standard
- Materials available include: ASTM A182 F316 Stainless Steel, ASTM A182 F51/55 Duplex & Super Duplex, and ASTM B564 UNS N06625 Inconel 625
- Various trim materials available
- Standard Designs are fire safe
- Lockable and anti-tamper devices available

Design Features

All our Valves are tested thoroughly. We offer a wide range of testing options due to our variety of in-house testing equipment. Standard Hydro-body, Hydro-seat and Gas seat testing is carried out to API 598 and API 6A, with permissible leakage to ISO 5208. However other standards can be adhered to should it be required, including but not limited to PR2, ISO 15848, MESC SPE 77/300 and MESC SPE 77/312. Please speak to our Sales team with regards to your testing requirements and we will be happy to advise.

#### Non-Destructive Testing/Examination Options

- DPI
- MPI
- Ultrasonic
- Hardness Testing
- Radiography

Pressure Testing

For further information regarding this range, please see the V Series Flange x Screw 1 Piece product data table at the back of this brochure.

Data Table

# V Series Flange x Screw Product Type

## 10MM V RANGE ONE PIECE - RF/RTJ FLANGE X 1/2" NPT FEMALE

	Size	Rating	Valve Part No.	A (mm)	ØB (mm)	C (mm)	D RF (mm)	D RTJ (mm)	Nominal weight
Metric / mm	1/2"	150	D1V4N#-4AR (4AJ)	188	90	10.1	12.1	N/A	3
	1/2"	300	D1V4N#-4BR (4BJ)	188	95	13.2	15.2	19.6	3
	1/2"	600	D1V4N#-4CR (4CJ)	188	95	14.8	21.8	21.2	3
	1/2"	900/1500	D1V4N#-4ER (4EJ)	188	120	22.8	29.8	29.2	4
	1/2"	2500	D1V4N#-4FR (4FJ)	198	135	30.7	37.7	37.1	5
	3/4"	150	D1VN#-6AR (6AJ)	188	100	11.7	13.7	N/A	3
	3/4"	300	D1VN#-6BR (6BJ)	188	115	14.8	16.8	21.2	4
	3/4"	600	D1V4N#-6CR (6CJ)	188	115	16.4	23.4	22.8	4
	3/4"	900/1500	D1V4N#-6ER (6EJ)	198	130	25.9	32.9	32.3	5
	3/4"	2500	D1V4N#-6FR (6FJ)	198	140	32.3	39.3	38.7	6
	1"	150	D1V4N#-8AR (8AJ)	188	110	13.2	15.2	19.6	4
	1"	300	D1V4N#-8BR (8BJ)	188	125	16.4	18.4	22.8	4
	1"	600	D1V4N#-8CR (8CJ)	188	125	18.0	25.0	24.4	4
	1"	900/1500	D1V4N#-8ER (8EJ)	198	150	29.1	36.1	35.5	6
	1"	2500	D1V4N#-8FR (8FJ)	198	160	35.5	42.5	41.9	6
	1 1/2"	150	D1V4N#-12AR (12AJ)	188	125	16.4	18.4	22.8	5
	1 1/2"	300	D1V4N#-12BR (12BJ)	188	155	19.6	21.6	26.0	6
	1 1/2"	600	D1V4N#-12CR (12CJ)	198	155	22.8	29.8	29.2	6
	1 1/2"	900/1500	D1V4N#-12ER (12EJ)	198	180	32.3	39.3	38.7	9
	1 1/2"	2500	D1V4N#-12FR (12FJ)	213	205	45.0	52.0	52.9	13
2"	150	D1V4N#-16AR (16AJ)	198	150	18.0	20.0	24.4	5	
2"	300	D1V4N#-16BR (16BJ)	198	165	21.2	23.2	29.1	6	
2"	600	D1V4N#-16CR (16CJ)	198	165	25.9	32.9	33.8	7	
2"	900/1500	D1V4N#-16ER (16EJ)	213	215	38.6	45.6	46.5	13	
2"	2500	D1V4N#-16FR (16FJ)	213	235	51.4	58.4	59.3	18	

# V Series Flange x Screw Product Type (cont'd)

## 13MM V RANGE ONE PIECE - RF/RTJ FLANGE X 1/2" NPT FEMALE

	Size	Rating	Valve Part No.	A (mm)	ØB (mm)	C (mm)	D RF (mm)	D RTJ (mm)	Nominal weight
Metric / mm	1/2"	150	13D1V4N#-4AR (4AJ)	183	90	10.1	12.1	N/A	4
	1/2"	300	13D1V4N#-4BR (4BJ)	183	95	13.2	15.2	19.6	5
	1/2"	600	13D1V4N#-4CR (4CJ)	183	95	14.8	21.8	21.2	5
	1/2"	900/1500	13D1V4N#-4ER (4EJ)	203	120	22.8	29.8	29.2	6
	1/2"	2500	13D1V4N#-4FR (4FJ)	203	135	30.7	37.7	37.1	7
	3/4"	150	13D1V4N#-6AR (6AJ)	183	100	11.7	13.7	N/A	5
	3/4"	300	13D1V4N#-6BR (6BJ)	183	115	14.8	16.8	21.2	5
	3/4"	600	13D1V4N#-6CR (6CJ)	183	115	16.4	23.4	22.8	5
	3/4"	900/1500	13D1V4N#-6ER (6EJ)	203	130	25.9	32.9	32.3	6
	3/4"	2500	13D1V4N#-6FR (6FJ)	203	140	32.3	39.3	38.7	8
	1"	150	13D1V4N#-8AR (8AJ)	183	110	13.2	15.2	19.6	5
	1"	300	13D1V4N#-8BR (8BJ)	183	125	16.4	18.4	22.8	6
	1"	600	13D1V4N#-8CR (8CJ)	183	125	18.0	25	24.4	6
	1"	900/1500	13D1V4N#-8ER (8EJ)	203	150	29.1	36.1	35.5	8
	1"	2500	13D1V4N#-8FR (8FJ)	203	160	35.5	42.5	41.9	9
	1 1/2"	150	13D1V4N#-12AR (12AJ)	183	125	16.4	18.4	22.8	6
	1 1/2"	300	13D1V4N#-12BR (12BJ)	183	155	19.6	21.6	26.0	7
	1 1/2"	600	13D1V4N#-12CR (12CJ)	203	155	22.8	29.8	29.2	8
	1 1/2"	900/1500	13D1V4N#-12ER (12EJ)	203	180	32.3	39.3	38.7	10
	1 1/2"	2500	13D1V4N#-12FR (12FJ)	203	205	45.0	52	52.9	15
2"	150	13D1V4N#-16AR (16AJ)	183	150	18.0	20	24.4	7	
2"	300	13D1V4N#-16BR (16BJ)	183	165	21.2	23.2	29.1	7	
2"	600	13D1V4N#-16CR (16CJ)	203	165	25.9	32.9	33.8	9	
2"	900/1500	13D1V4N#-16ER (16EJ)	203	215	38.6	45.6	46.5	14	
2"	2500	13D1V4N#-16FR (16FJ)	203	235	51.4	58.4	59.3	20	