

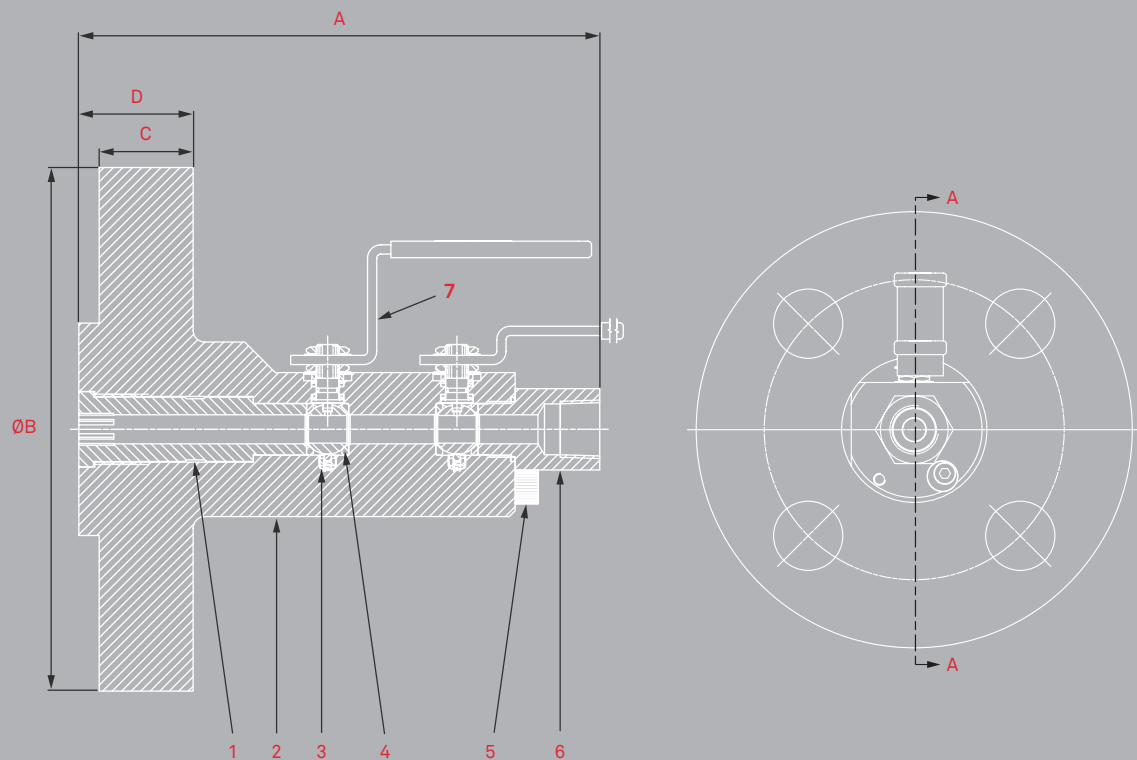
# BQ Series Flange x Screw 1 Piece

Technical Spec

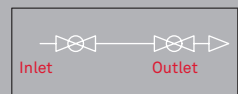
Double block single flanged valve manifold utilising soft seating for superior, bubble tight sealing capabilities at both extreme pressures and temperatures.

The SVQ type valve offers a Ball, Ball configuration. This series offers working pressures of up to ASME class 2500 with a maximum working temperature of 200°C.

Valve Construction



- 1** Screwed Body Insert
- 2** Valve Body
- 3** Anti Static Device
- 4** Floating Ball Valve
- 5** Locking Cam
- 6** Female NPT End Connector
- 7** Ball Valve Handle



Flow Diagram

Options

| Flange/Inlet †  | Outlet †        |
|-----------------|-----------------|
| Raised Face     | Raised Face     |
| Flat Face       | Flat Face       |
| Ring Type Joint | Ring Type Joint |

†Other options can be supplied upon request.



**Temp. Range**  
-46°C > 200°C †



**Pressure Rating**  
ASME Class 150 - 2500



**Flange Sizes**  
ASME B16.5 1/2" - 2" †



**Compliance**  
NACE MR - 01 - 75



**Material Traceability**  
Major Components



**Flow Direction**  
Uni-directional



**Servicing Kits**  
Available

† Actual maximum working temperature is dependent on valve service conditions; please contact for more information.

- PEEK body bonnet seal for high pressure and high temperature
- Actuating threads are above packing to prevent contamination by the process medium
- Any Outlet sizes available on request
- Raised Face and Ring Type Joint connection options available

All our Valves are tested thoroughly. We offer a wide range of testing options due to our variety of in-house testing equipment. Standard Hydro-body, Hydro-seat and Gas seat testing is carried out to API 598 and API 6A, with permissible leakage to ISO 5208. However other standards can be adhered to should it be required, including but not limited to PR2, ISO 15848, MESC SPE 77/300 and MESC SPE 77/312. Please speak to our Sales team with regards to your testing requirements and we will be happy to advise.

#### Non-Destructive Testing/Examination Options

- DPI
- MPI
- Ultrasonic
- Hardness Testing
- Radiography

For further information regarding this range, please see the BQ Series Flange x Screw 1 Piece product data table at the back of this brochure.

# BQ Series Flange x Screw Product Type

## 10MM DQ RANGE ONE PIECE - RF/RTJ FLANGE X 1/2" NPT FEMALE

|             | Size     | Rating           | Valve Part No.   | A (mm) | ØB (mm) | C (mm) | DRF(mm) | D RTJ (mm) | Nominal weight |
|-------------|----------|------------------|------------------|--------|---------|--------|---------|------------|----------------|
| Metric / mm | 1/2"     | 150              | D1A#-4AR (4AJ)   | 158    | 90      | 10.1   | 12.1    | N/A        | 3              |
|             | 1/2"     | 300              | D1A#-4BR (4BJ)   | 158    | 95      | 13.2   | 15.2    | 19.6       | 3              |
|             | 1/2"     | 600              | D1A#-4CR (4CJ)   | 158    | 95      | 14.8   | 21.8    | 21.2       | 3              |
|             | 1/2"     | 900/1500         | D1A#-4ER (4EJ)   | 158    | 120     | 22.8   | 29.8    | 29.2       | 4              |
|             | 1/2"     | 2500             | D1A#-4FR (4FJ)   | 178    | 135     | 30.7   | 37.7    | 37.1       | 5              |
|             | 3/4"     | 150              | D1A#-6AR (6AJ)   | 158    | 100     | 11.7   | 13.7    | N/A        | 3              |
|             | 3/4"     | 300              | D1A#-6BR (6BJ)   | 158    | 115     | 14.8   | 16.8    | 21.2       | 4              |
|             | 3/4"     | 600              | D1A#-6CR (6CJ)   | 158    | 115     | 16.4   | 23.4    | 22.8       | 4              |
|             | 3/4"     | 900/1500         | D1A#-6ER (6EJ)   | 178    | 130     | 25.9   | 32.9    | 32.3       | 5              |
|             | 3/4"     | 2500             | D1A#-6FR (6FJ)   | 178    | 140     | 32.3   | 39.3    | 38.7       | 6              |
|             | 1"       | 150              | D1A#-8AR (8AJ)   | 158    | 110     | 13.2   | 15.2    | 19.6       | 4              |
|             | 1"       | 300              | D1A#-8BR (8BJ)   | 158    | 125     | 16.4   | 18.4    | 22.8       | 4              |
|             | 1"       | 600              | D1A#-8CR (8CJ)   | 158    | 125     | 18.0   | 25.0    | 24.4       | 4              |
|             | 1"       | 900/1500         | D1A#-8ER (8EJ)   | 178    | 150     | 29.1   | 36.1    | 35.5       | 6              |
|             | 1"       | 2500             | D1A#-8FR (8FJ)   | 178    | 160     | 35.5   | 42.5    | 41.9       | 6              |
|             | 1 1/2"   | 150              | D1A#-12AR (12AJ) | 158    | 125     | 16.4   | 18.4    | 22.8       | 5              |
|             | 1 1/2"   | 300              | D1A#-12BR (12BJ) | 158    | 155     | 19.6   | 21.6    | 26.0       | 6              |
|             | 1 1/2"   | 600              | D1A#-12CR (12CJ) | 178    | 155     | 22.8   | 29.8    | 29.2       | 6              |
|             | 1 1/2"   | 900/1500         | D1A#-12ER (12EJ) | 178    | 180     | 32.3   | 39.3    | 38.7       | 9              |
|             | 1 1/2"   | 2500             | D1A#-12FR (12FJ) | 193    | 205     | 45.0   | 52.0    | 52.9       | 13             |
| 2"          | 150      | D1A#-16AR (16AJ) | 178              | 150    | 18.0    | 20.0   | 24.4    | 5          |                |
| 2"          | 300      | D1A#-16BR (16BJ) | 178              | 165    | 21.2    | 23.2   | 29.1    | 6          |                |
| 2"          | 600      | D1A#-16CR (16CJ) | 178              | 165    | 25.9    | 32.9   | 33.8    | 7          |                |
| 2"          | 900/1500 | D1A#-16ER (16EJ) | 193              | 215    | 38.6    | 45.6   | 46.5    | 13         |                |
| 2"          | 2500     | D1A#-16FR (16FJ) | 193              | 235    | 51.4    | 58.4   | 59.3    | 18         |                |